

Enclosed Tubular Drag Cable and Disc Conveyors to Gently Convey Your Friable Materials



6000 Series

Six-Inch Diameter (152.4mm) System
Up to 1,240 Ft³ (35.4 M³) / Hour

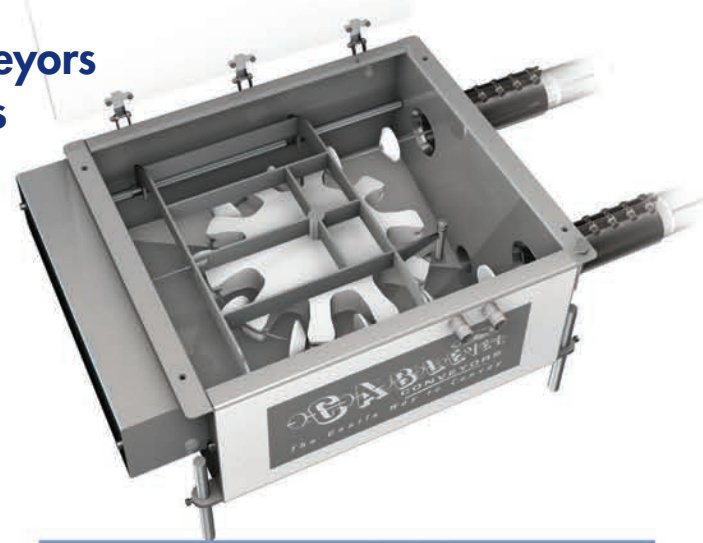


4000 Series

Four-Inch Diameter (101.6mm) System
Up to 525 Ft³ (14.87 M³) / Hour

2000 Series

Two-Inch Diameter (50.8mm) System
Up to 75 Ft³ (2.12 M³) / Hour



Energy Efficient

Electric Motor Operating Costs (Cablevey uses 1, 3 or 5 HP Drive Units)

| Horsepower/ Kilowatts ¹ | Full Load AMP | NEMA Efficiency | Annual Cost |
|---------------------------------------|------------------|--------------------|----------------|
| .75KW | 1.6 | 78.5 | \$414 |
| 3 (2.23KW) | 4.2 | 85.6 | \$965 |
| 5 (3.72KW) | 6.5 | 87.5 | \$1,476 |

Based on 460V continuous run @ \$.10 per kilowatt hour

Testimonial

Before going with Cablevey, we used buckets, pneumatics, belt-drive and vacuum-load systems, but they were not efficient. After reviewing different solutions, we chose Cablevey on price, installation, turn-around time and flexibility.

Jean-François Vallee,
Engineering & Maintenance Manager
Van Houtte Inc. Montreal, Canada

**"Bean Breakage decreased by 78%
This decision was a no-brainer!"**

Discs attached to Ultra-Flex cable gently conveys product through the tube without the use of air

- ✓ Low Decibels – Quiet!
- ✓ Starts & Stops Under Load
- ✓ Clean-in-Place Options
- ✓ Minimal Footprint
- ✓ Energy-efficient
- ✓ Gentle Handling – Less Breakage!
- ✓ Dust-Free Enclosed System – No Filters!



Pistachios

Oats

Cereal Loops

Pistachio Meats

Sunflower Seeds

Black Tea

Cashews

Walnuts

Frozen Strawberries

Green Coffee

Frozen Corn

Sliced Almonds

Peanuts

Green Tea

Frozen Blueberries

Frozen Peas

Almonds

Soy

Ground Coffee

Hazelnuts

Animal Feed

Pet Food

Brazil Nuts

Cereal Flakes

Trail Mix

Dry Fruits/Nuts Mix

Roasted Coffee



Customized Tubular Drag Cable Conveyors Since 1971

P O Box 148, 2397 Highway 23
Oskaloosa, Iowa 52577 U.S.A.

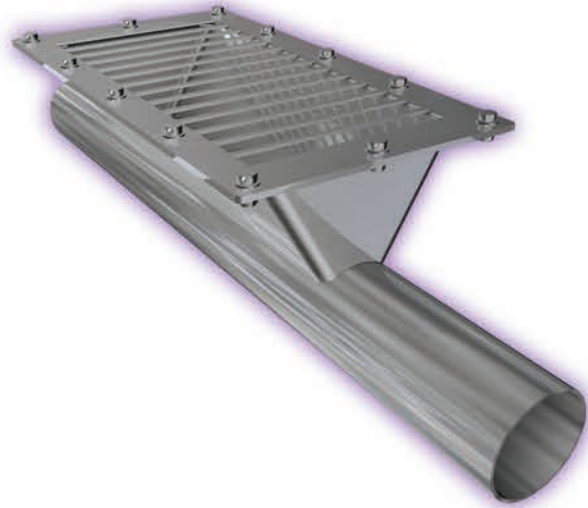
Tel: +1 (641) 673-8451 • Fax: +1 (641) 673-7419

Email: info@cablevey.com

www.cablevey.com



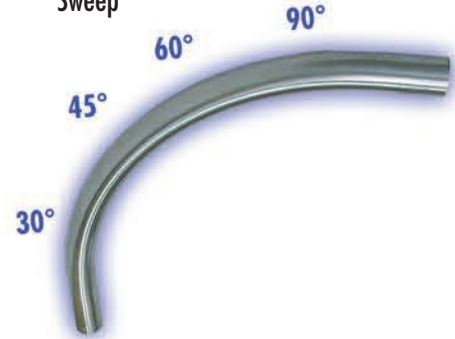
VARIOUS INLET TYPES
To Fit Your Application



INSPECTION TUBE
Transparent View



DIRECTIONAL CHANGE
Sweep



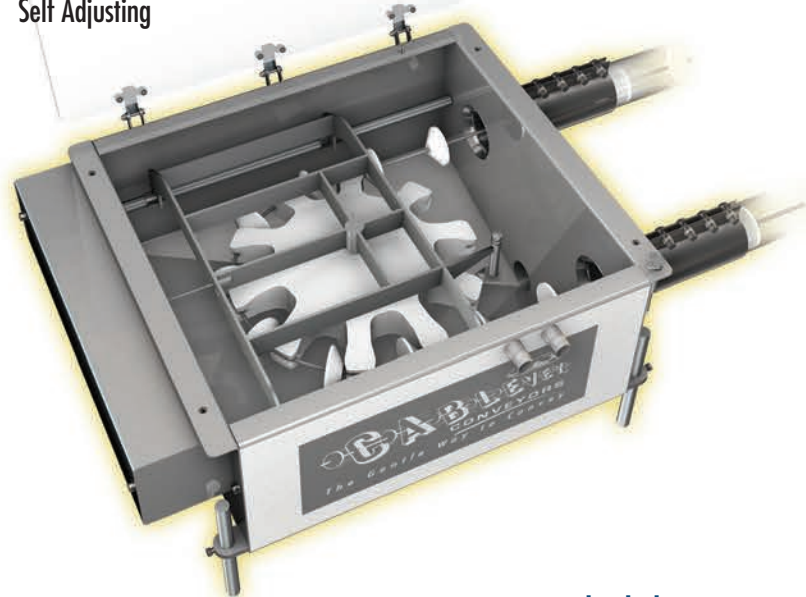
INLINE BRUSH BOX
Automatic Disc & Cable Cleaning



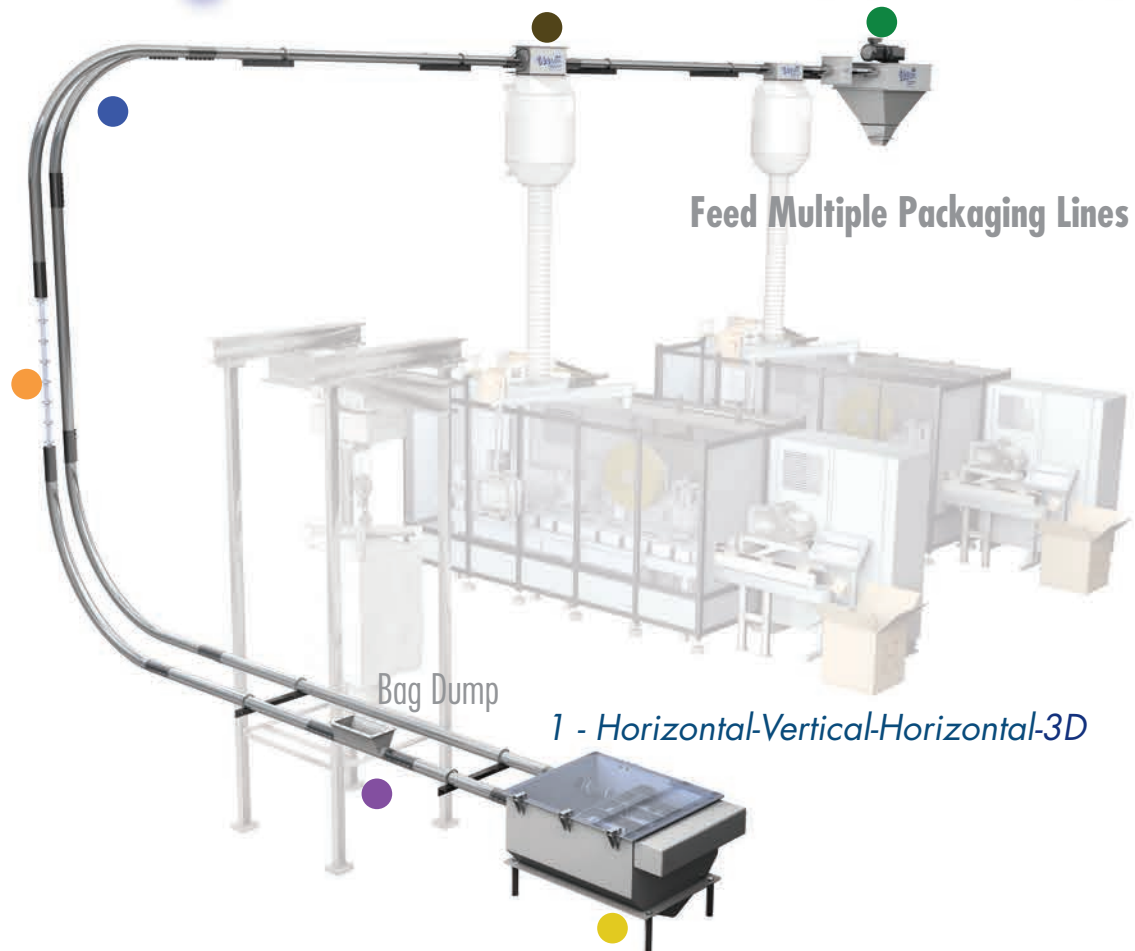
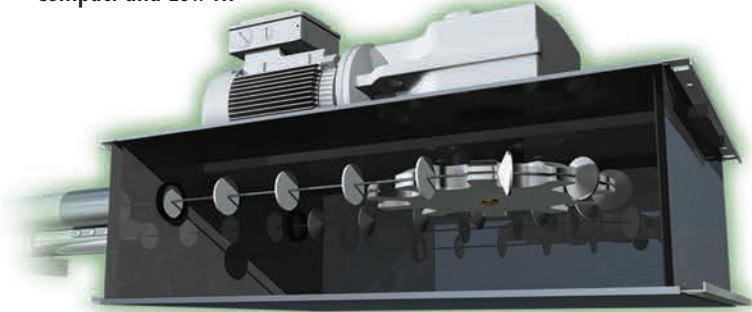
ROTARY DISCHARGE
Multiple Discharge Options (as needed)



TENSION TURNAROUND UNIT
Self Adjusting



DRIVE UNIT
Compact and Low HP



**THE HEART OF THE SYSTEM-
CABLE & DISCS**

*1-Piece, 2-Piece, Coated or Uncoated
Ultra-Flexible, High-Tensile Strength,
Durable Stainless Steel Cable.*



Various Layout Designs Available



All Systems Customized to Your Specifications

Slow Speeds (VFD controlled) Fight Degradation and Separation!